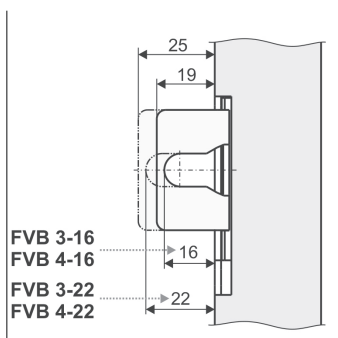
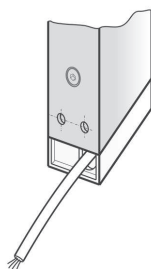


FVB 4



- Application: natural ventilation, SHEV, ferralux®-NSHEV
- Surface mounting on the on the main/side closing edge of the window frame profiles (RM) of inward opening windows
- Required mounting space 35 mm
- Locking drives for existing locking bar

Options

- Locking plate customizable for project-/profile-specific demands

FVB3

- With internal load dependent cut-off switch and sequence control for drives PL6 S1 / PL10 S1 (I = 0.8A)

FVB4

- M-COM suitable internal load dependent cut-off switch and sequence control for drives S3 /S12
- Star wiring
- Current of the drives does not run over FVB4
- Sequence control via communication wire

TECHNICAL DATA

U_N	Rated voltage	24V DC ($\pm 20\%$), max. 2 Vpp
I_N	Rated current	0,6 A
I_0	Cut-off current	~ 30 mA
P_N	Rated power	20 W
I_D	Current of opening drives	FVB3: 0,8 A (PL 6/10 S1) FVB4: 3 A, S3 / S12 non relevant
ED	Duty cycle	30 % (ON: 3 min. / OFF: 7 min.)
	Protection rating	IP 32
	Ambient temperature range	-5 °C ... +75 °C
F	Pushing / Pulling force max.	~ 600 N
t	Runtime	~ 5,0 s
s	Stroke	~ 18 mm (± 1)
	Connecting cable	FVB3: non-halogen, grey 2 x 0,75 mm ² , ~ 3 m FVB4: non-halogen, grey 3 x 0,50 mm ² , ~ 3 m
	Coupling adapter	stainless steel
	Housing	aluminium (E6/C-O), 420 x 35 x 35 mm
L	Length	420 mm
	Versions	FVR/FVB 3/4 – 16: Coupling adapter length 19 mm FVR/FVB 3/4 – 22: Coupling adapter length 25 mm
	Sound pressure level A	≤ 70 dB (A)

ORDER DATA						
s [mm]	L [mm]	Version	Finish	PU/pcs.	Part.-No.	
16	420	FVB3 16	E6/C-0	1	513921	
22	420	FVB3 22	E6/C-0	1	513923	
16	420	FVB4 16	E6/C-0	1	513930	
22	420	FVB4 22	E6/C-0	1	513934	

Special model	PU/pcs.	Part.-No.	
Drive housing painted/powder coated in other RAL colours			
Lump sum for coating		516030	
Specify at order stage:	1 – 20	516004	
	21 – 50	516004	
	51 – 100	516004	
	up 101	516004	
Extra length connecting cable:			
5 m –non-halogen grey – 2 x 0,75 mm ²		501024	
10 m –non-halogen, grey – 2 x 0,75 mm ²		501026	
5 m –non-halogen, grey – 3 x 0,50 mm ²		501034	
10 m –non-halogen, grey – 3 x 0,50 mm ²		501036	
Microprocessor programming S12			
Programming drives 24V / 230V S12		524180	
Optional accessories			
M-COM Configuration module for synchronised multi-drive systems (for FV4)	1	524177	